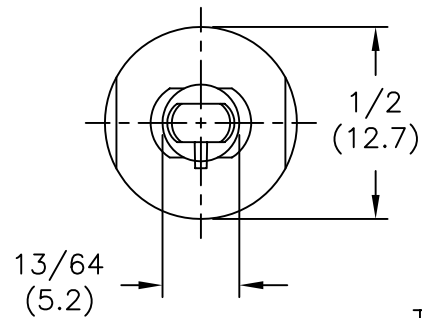
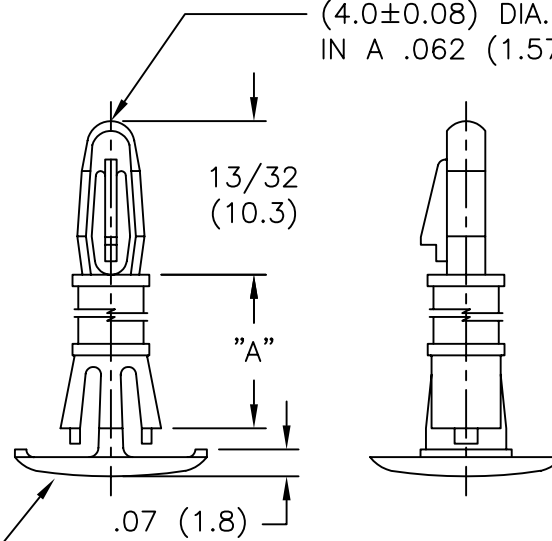


PART NO.	DIM. "A" ±.015(0.4)
RLCBSRE-4-01	1/4 (6.4)
RLCBSRE-6-01	3/8 (9.5)
RLCBSRE-8-01	1/2 (12.7)
RLCBSRE-10-01	5/8 (15.9)



TO SNAP-LOCK IN A  $.157 \pm .003$   
( $4.0 \pm 0.08$ ) DIA. HOLE,  
IN A  $.062$  (1.57) THK. BOARD.



TO SNAP-LOCK IN A  $.213 \pm .003$  ( $5.41 \pm 0.08$ )  
DIA. HOLE, IN A  $.059$  TO  $.065$  (1.50 TO 1.65)  
THK. PANEL/CHASSIS.

NOTES:

- MATERIAL: NYLON 6/6 (RMS-01).  
FLAME RETARDANT: NYLON (RMS-19).  
BY SPECIAL ORDER.
- COLOR: NATURAL.

TITLE: REVERSE LOCKING CKT. BD. SUPPORT, ENGLISH



DWG IN  
IN(MM)

FINAL

REV	DESCRIPTION	ENGR	DATE
C	CHANGED FILE NUMBER	SM	05.03.01
B	MAT'L RMS-19 ADDED	J.L.	12.29.97
A	CONVERTED TO AUTOCAD	PB	05.23.95

TOLERANCES  
UNLESS NOTED  
.XX=±.010  
.XXX=±.015  
FRAC=1/64  
ANG=1°

FILE # RLCBSRE  
MAT'L: SEE NOTE  
RE: RICHCO, INC.

DWN: P.B.  
DT: 05-23-95  
APP: DT:  
RICHCO INC.  
PO BOX 804238, CHICAGO, 60680  
(773) 539-4060

PART #  
SEE TABLE

PRINT  
TYPE  
CA